

# Spezifikation für Freigabe / specification for release

Kunde / customer :

Artikelnummer / part number : **749196131**

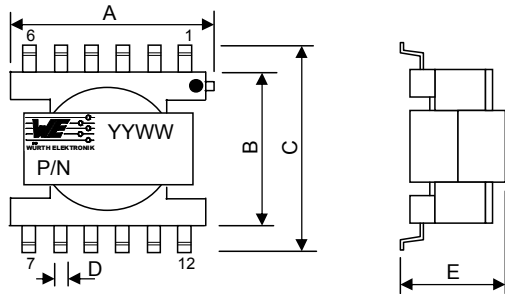
LF



Bezeichnung : **FLEX-ÜBERTRAGER WE-FLEX**  
 description : **FLEX-TRANSFORMER WE-FLEX**

DATUM / DATE : 2005-01-19

## A Mechanische Abmessungen / dimensions :



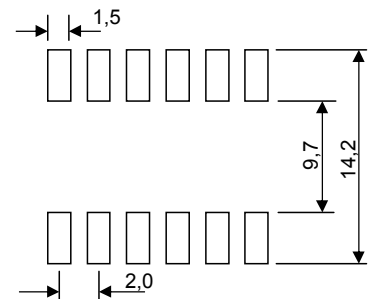
	ER11/5	
A	<b>12,9 max</b>	mm
B	<b>9,2 ± 0,3</b>	mm
C	<b>13,0 max</b>	mm
D	<b>0,7 ± 0,1</b>	mm
E	<b>6,2 max</b>	mm

● = Marking Pin 1

## B Elektrische Eigenschaften / electrical properties :

Eigenschaften / properties	Testbedingungen / test conditions		Wert / value	Einheit / unit	tol.
Induktivität / inductance	<b>10 kHz / 0,1 V</b>	$L_{base}$	<b>10,9</b>	$\mu H$	<b>±20%</b>
Sättigungsstrom / saturation current	$ \Delta L/L  < 10\%$	$I_{sat base}$	<b>0,73</b>	A	<b>typ.</b>
Nennstrom / rated current	$\Delta T = 40 K$	$I_{rms base}$	<b>0,55</b>	A	<b>typ.</b>
DC-Widerstand / DC-resistance	<b>@ 20°C</b>	$R_{DC base}$	<b>344,0</b>	$m\Omega$	<b>max.</b>
Spannungs-Zeit-Fläche / Voltage- $\mu$ second		$\int U dt$	<b>32,9</b>	$\mu Vs$	<b>max.</b>
Speicherenergie / storage energy		$E_{peak base}$	<b>1,92</b>	$\mu J$	<b>typ.</b>
Streuinduktivität / leakage inductance	<b>100 kHz / 0,1 V</b>	$L_s base$	<b>0,21</b>	$\mu H$	<b>typ.</b>
Hochspannungstest / Hipot test	<b>3mA / 1sec</b>	HV	<b>500</b>	$V_{DC}$	

## C Lötpad / soldering spec. :



## D Prüfgeräte / test equipment :

**HP 4274 A** für/for L und/and Q  
**HP 34401 A** für/for  $I_{DC}$  und/and  $R_{DC}$

## E Testbedingungen / test conditions :

Luffeuchtigkeit / humidity: 33%  
 Umgebungstemperatur / temperature: +20°C

## F Werkstoffe & Zulassungen / material & approvals :

Basismaterial / base material: Ferrit/ ferrite  
 Spulenkörper / Bobbin: UL-V0  
 Draht / wire: 2UEW 155°C  
 Kontaktmaterial/ contact plating: Cu-Ag tinned

## G Eigenschaften / general specifications :

Betriebstemp. / operating temperature: -40°C - + 125°C  
 Umgebungstemp. / ambient temperature: -40°C - + 85°C  
 It is recommended that the temperature of the part does not exceed 125°C under worst case operating conditions.

Freigabe erteilt / general release:	Kunde / customer			
Datum / date	Unterschrift / signature			
	Würth Elektronik			
Geprüft / checked	Kontrolliert / approved		TBr	Version 1
			Name	Änderung / modification
				Datum / date

### Würth Elektronik eiSos GmbH & Co.KG

D-74638 Waldenburg · Max-Eyth-Straße 1 - 3 · Germany · Telefon (+49) (0) 7942 - 945 - 0 · Telefax (+49) (0) 7942 - 945 - 400  
<http://www.we-online.com>

# Spezifikation für Freigabe / specification for release

Kunde / customer :

Artikelnummer / part number :

**749196131**

LF



Bezeichnung :

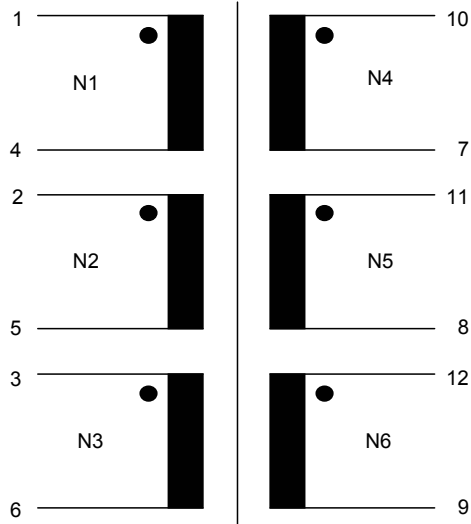
**FLEX-ÜBERTRAGER WE-FLEX**

description :

**FLEX-TRANSFORMER WE-FLEX**

DATUM / DATE : 2005-01-19

## H Schaltbild / Schematics



Freigabe erteilt / general release:	<b>Kunde / customer</b>			
.....	.....			
Datum / date	Unterschrift / signature			
	<b>Würth Elektronik</b>			
.....	.....			
Geprüft / checked	Kontrolliert / approved	TBr	Version 1	2005-01-19
		Name	Änderung / modification	Datum / date

**Würth Elektronik eiSos GmbH & Co.KG**

D-74638 Waldenburg · Max-Eyth-Straße 1 - 3 · Germany · Telefon (+49) (0) 7942 - 945 - 0 · Telefax (+49) (0) 7942 - 945 - 400  
<http://www.we-online.com>

# Spezifikation für Freigabe / specification for release

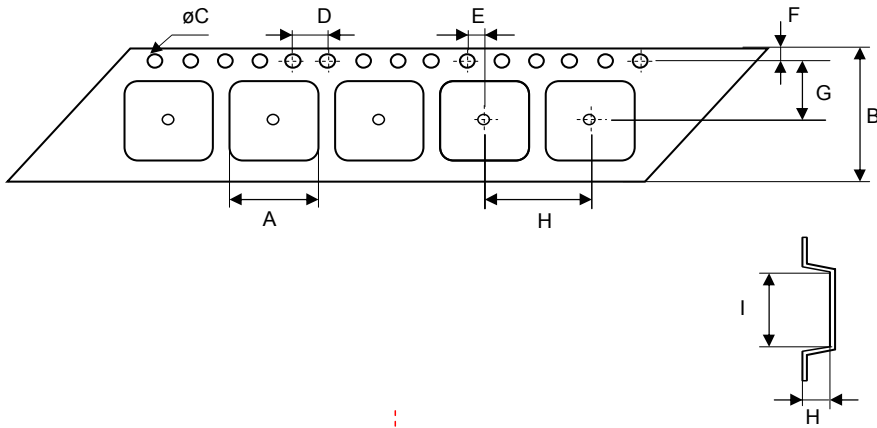
Kunde / customer :  
 Artikelnummer / part number : **749196131**  
 Bezeichnung : **FLEX-ÜBERTRAGER WE-FLEX**  
 description : **FLEX-TRANSFORMER WE-FLEX**

LF



DATUM / DATE : 2005-01-19

## I Rollenspezifikation / tape and reel specification :

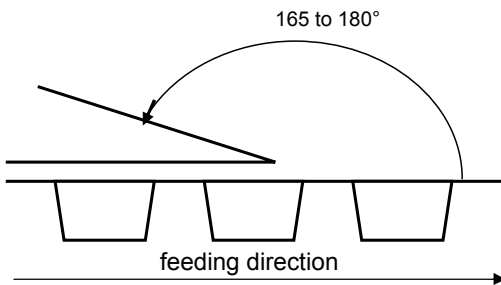
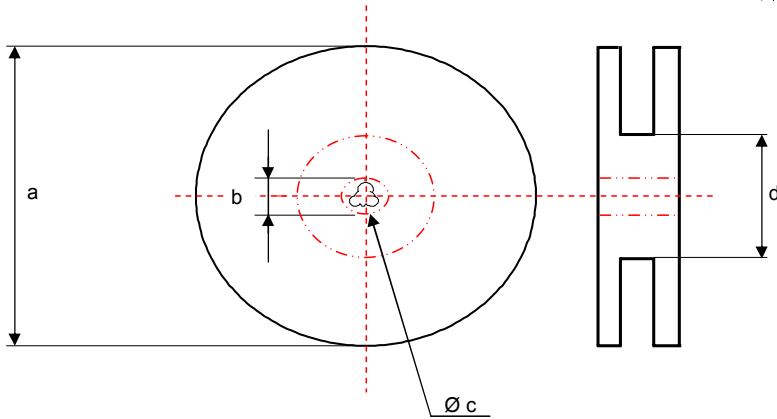


## Gurtspezifikation / Tape specification:

A	<b>13,00 ± 0,1</b>	mm
B	<b>24,00 ± 0,2</b>	mm
C	<b>1,50 <sup>+0,1</sup> - 0,0</b>	mm
D	<b>4,00 ± 0,1</b>	mm
E	<b>2,00 ± 0,1</b>	mm
F	<b>1,75 ± 0,1</b>	mm
G	<b>11,50 ± 0,1</b>	mm
H	<b>16,00 ± 0,1</b>	mm
I	<b>6,50 ± 0,1</b>	mm
K	<b>13,00 ± 0,1</b>	mm

## Rollenspezifikation / Reel specification:

a	<b>330,0 ± 2,0</b>	mm
b	<b>21,00 ± 0,8</b>	mm
c	<b>13,00 ± 0,5</b>	mm
d	<b>100,0 ± 1,0</b>	mm



The force for tearing off cover tape is 10 to 130 grams in arrow direction

Freigabe erteilt / general release:	<b>Kunde / customer</b>		
Datum / date	Unterschrift / signature		
	<b>Würth Elektronik</b>		
Geprüft / checked	Kontrolliert / approved		
	TBr	Version 1	2005-01-19
	Name	Änderung / modification	Datum / date

This electronic component is designed and developed with the intention for use in general electronics equipments. Before incorporating the components into any equipments in the field such as aerospace, aviation, nuclear control, submarine, transportation, (automotive control, train control, ship control), transportation signal, disaster prevention, medical, public information network etc. where higher safety and reliability are especially required or if there is possibility of direct damage or injury to human body. In addition, even electronic component in general electronic equipments, when used in electrical circuits that require high safety, reliability functions or performance, the sufficient reliability evaluation-check for the safety must be performed before use. It is essential to give consideration when to install a protective circuit at the design stage.

**Würth Elektronik eiSos GmbH & Co.KG**

D-74638 Waldenburg · Max-Eyth-Straße 1 - 3 · Germany · Telefon (+49) (0) 7942 - 945 - 0 · Telefax (+49) (0) 7942 - 945 - 400  
<http://www.we-online.com>