

BS780174L

Obserview 7" LCD B&W Camera System



System Contents

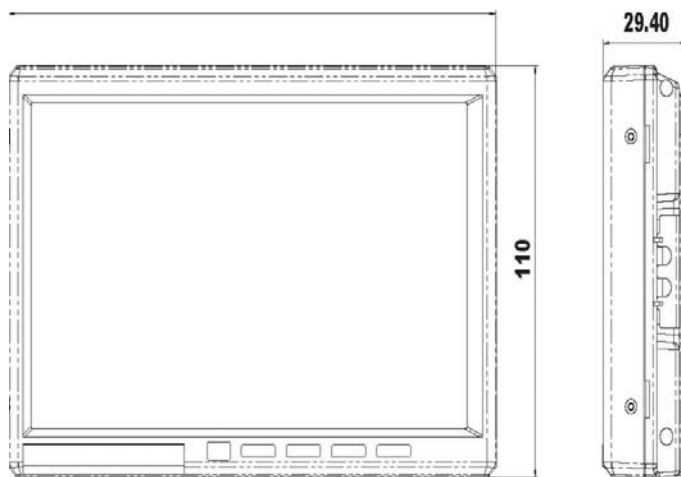
7" TFT-LCD Monitor w/ speaker and mounting bracket
Wireless IR Remote Control
B&W Mirror Image CCD Camera w/ white housing, built-in microphone, IR Night Vision Lights, mounting bracket
60 FT Camera Extension Cable w/ 6 Pin DIN Connectors
System User Manual
2-Port Control Box w/ Power Cable

System Features

On Screen Display Control
2 Camera Inputs
2 Audio/Video Outputs for recording to DVR
Monitor auto-powers on when shifting to reverse gear
Mirror view in monitor
Choice of white or dark grey camera housing

CM7801 7" LCD Monitor Specifications

Display	7" Active Matrix Color LCD Display NTSC / PAL Automatic Select
Display Format	112,320 pixels
Aspect Ratio	16:09
Resolution	336,960 dots / 1,440 (W) x 234 (H) dots
Front Panel	Anti-glare glass
Active Area	154.08 (W) x 86.58 (H) mm
Back Light	10,000 hours normal operation
Source	Composite video input x 2 (Vp-p:0.8~1.2mV) Composite video output x 1 (Vp-p:0.8~1.2mV) Composite audio output x 2 (Vp-p:1.2~2.0mV) IR output x 1 (IR1:R 2.3MHz ; L 2.8MHz) (IR2:R 3.2MHz ; L 3.8MHz)
Operating Voltage	DC 13.2V(10~16V ; MAX:24V)
Operating Current	0.5Amp (Nominal) ~1Amp (MAX)
Operating Temperature	0°C to 60°C
Weight	0.7KG
Dimensions	172.6(W) X 110(D) X 29.4 (H) mm

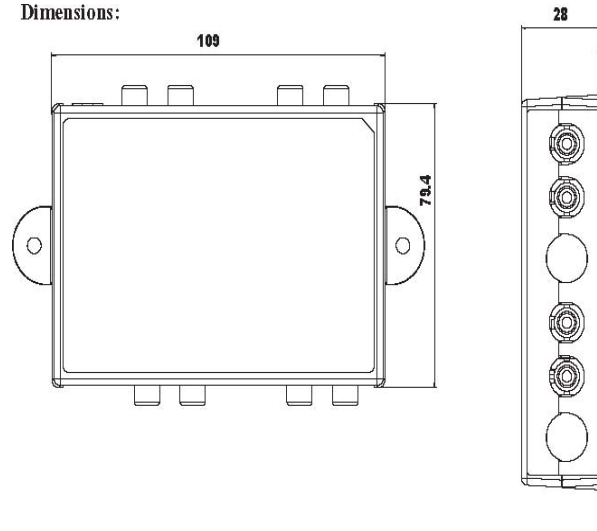


CB7801 Control Box for 7" LCD Monitor

Source	CCD Camera x 2
	Composite video input x 2 (Vp-p:0.8~1.2mV) Composite audio input x 2 (Vp-p:0.8~1.2mV) Composite video output x 2 (Vp-p:0.8~1.2mV) Composite audio output x 2 (Vp-p:0.8~1.2mV)
Operating Voltage	DC 12V~32V
Operating Current	0.5Amp (Nominal)
Operating Temperature	-20°C to 85°C
Weight	0.14KG
Dimensions	109(W) X 79.4(D) X 28 (H) mm

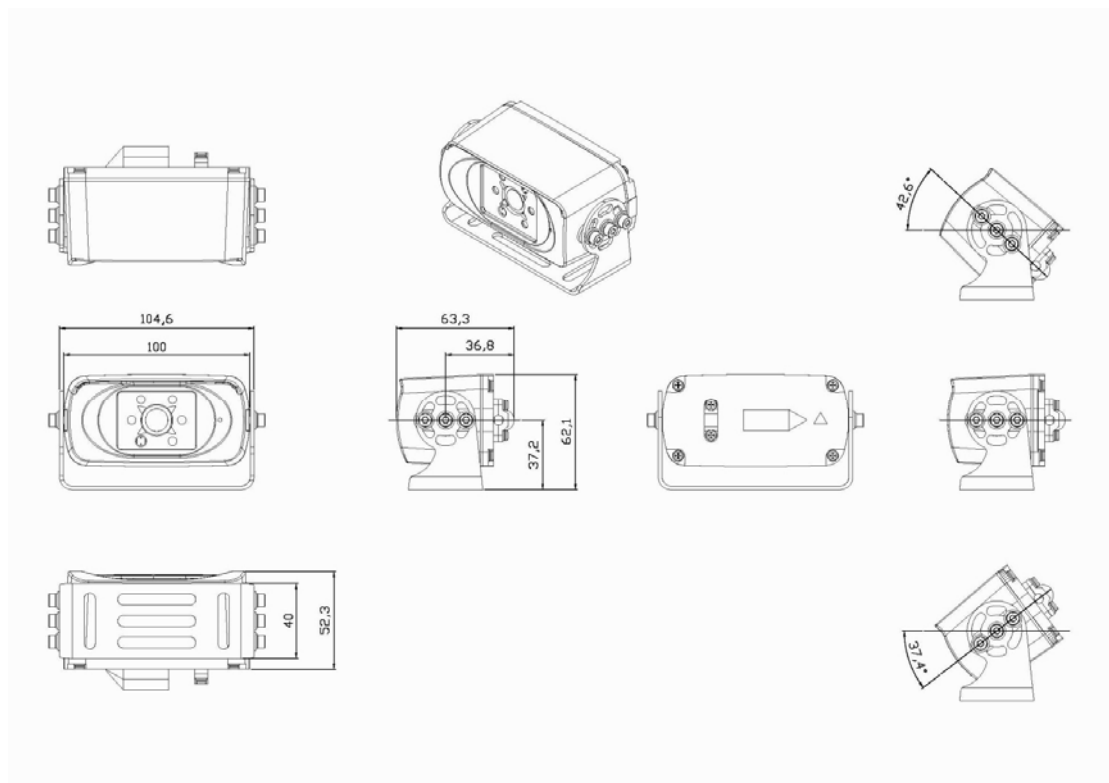


Dimensions:



CAMERA SPECIFICATIONS

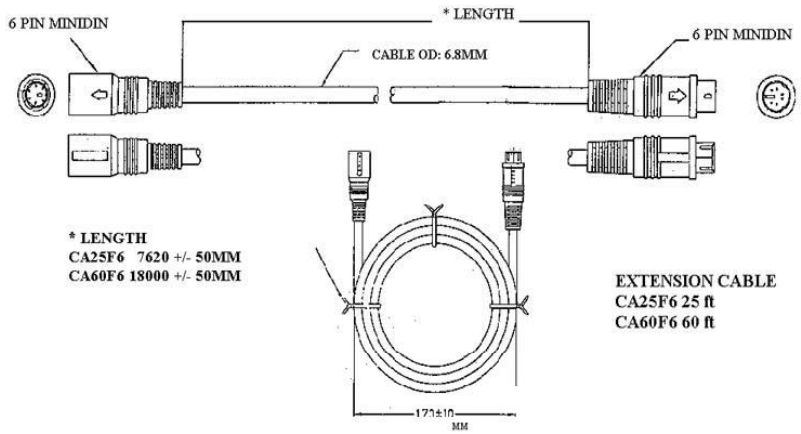
Model NO.	B/W:BC74MD / BC74ML	COLOR: CC47MDS / CC47MLS
Pick-up Device	1/3" image sensor interline transfer CCD	
Image Size	4.82 X 3.64mm Mirror Image	
Elements	EIA/NTSC: 510(H) x 492(V)	CCIR/PAL: 500(H) x 582(V)
Horizontal Resolution	More than 400 TV lines	More than 380 TV lines
Shutter Control	EIA/NTSC: 1/60-1/100,000 sec.	CCIR/PAL: 1/50-1/100,000 sec.
Scanning System	2:1 Interlace	
Synchronization	Internal	
S/N Ratio	More than 48dB (AGC OFF)	
Gain Control	AUTO	
Sensitivity	0 lux / F1.2 By IR LED	0 lux / F1.2 By IR LED
White Balance	-	Auto
Video Output	Composite 1.0 Vp-p /75 ohm	
Power Consumption	3w (Max)	
Dimension	104.6mm(D) x 62mm(W) x 62mm(H)	
Weight (per unit)	650g	
Scanning Frequency	H: EIA/NTSC: 15.750 KHz/ CCIR/PAL: 15.625 KHz/ V: EIA/NTSC: 60 Hz/ CCIR/PAL: 50 Hz	
DC Power Source	DC9~12V	
Lens Mount	Board lens 2.5mm / F2.5	
Lens View Angle	115.5 degree	
IR LED Type	850nm / Auto control by CDS	
IR LED ON	Under 35~50 lux	
IR LED Project Distance	5 Meters MAX	
Operation Temperature	-10 to 50°C (14 to 122°F)	
Storage Temperature	-30 to 60°C (-4 to 158°F)	





60 FT Extention Cables:- CA60F6

- 18000 +/- 50MM
- Length: 60 ft
- 6 Pin Mini-DIN Video/Audio Cable



Monitor Mounting Bracket



Ceiling Mount



Dash Mount

