

PowerAmp Design

RAIL TO RAIL OPERATIONAL AMPLIFIER

PAD127

Rev D

KEY FEATURES

- LOW COST
- RAIL TO RAIL INPUT & OUTPUT
- WIDE SUPPLY RANGE $\pm 5V$ – $\pm 50V$
- SINGLE SUPPLY OPERATION
- HIGH OUTPUT CURRENT – 30A
- 450 WATT OUTPUT CAPABILITY
- 225 WATT DISSIPATION CAPABILITY
- INTEGRATED HEAT SINK AND FAN
- TEMPERATURE REPORTING
- OVER-TEMP SHUTDOWN

APPLICATIONS

- LINEAR MOTOR DRIVE
- INDUSTRIAL AUDIO
- SEMICONDUCTOR TESTING
- VIBRATION CANCELLATION
- PROGRAMMABLE POWER SUPPLY

DESCRIPTION

The PAD127 rail to rail operational amplifier is constructed with surface mount components to provide a cost effective solution for many industrial applications where it is important to obtain a maximum output signal with limited supply voltages. The PAD127 outperforms much more expensive hybrid component amplifiers or rack-mount amplifiers in a footprint only 80mm square. User selectable external compensation tailors the amplifier's response to the application requirements. Four-wire programmable current limit is built-in, but the PAD127 is compatible with the external PAD121 current limit accessory module as well. The PAD127 also features a substrate temperature reporting analog output and over-temp shutdown. The amplifier circuitry is built on an insulated metal substrate mounted to an integral heat sink and fan assembly. No BeO is used in the PAD127. The resulting module is a small, high performance turn-key solution for many industrial applications.



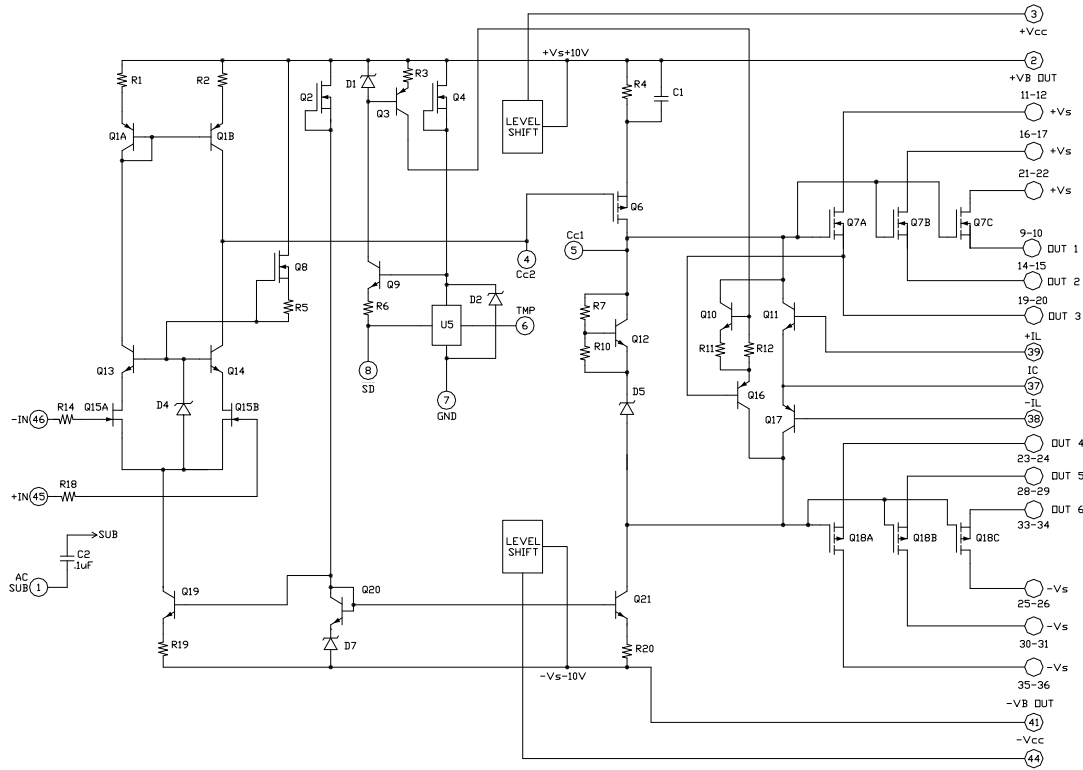
PAD127 mounted in evaluation kit

A NEW CONCEPT

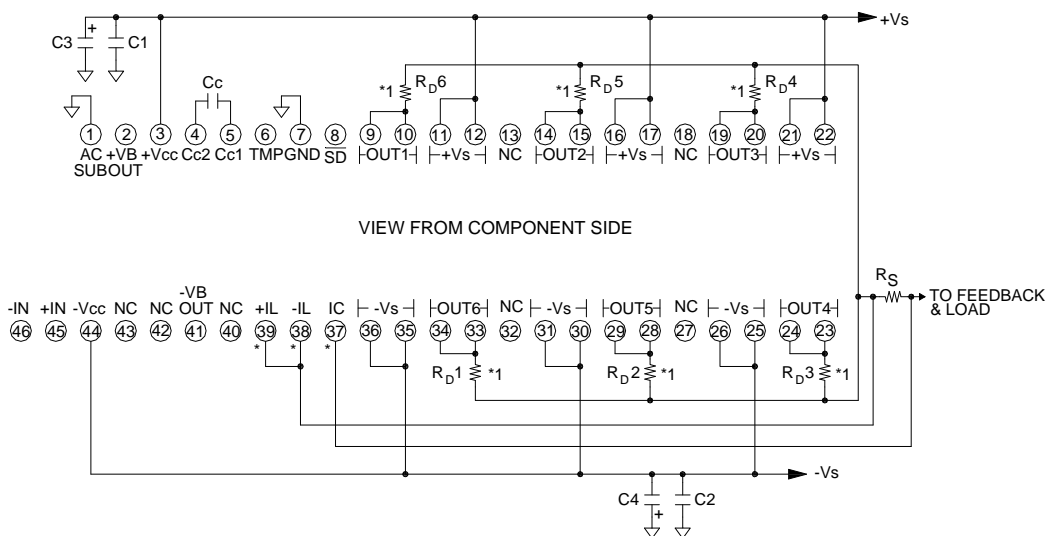
A critical task in any power amplifier application is cooling the amplifier. Until now component amplifier manufacturers often treated this task as an after-thought, left for the user to figure out. At **Power Amp Design** the best heat sink and fan combination is chosen at the start and becomes an integral part of the overall amplifier design. The result is the most compact and volumetric efficient design combination at the lowest cost. In addition, this integrated solution concept offers an achievable real-world power dissipation rating, not the ideal rating usually cited when the amplifier case is somehow kept at 25°C. The user no longer needs to specify, procure or assemble separate components.

PowerAmp Design ♦ PAD127 ♦ RAIL TO RAIL OPERATIONAL AMPLIFIER

EQUIVALENT CIRCUIT



AMPLIFIER PINOUT & CONNECTIONS



| PHASE COMPENSATION | | |
|--------------------|----------------|-----------|
| GAIN | C _c | SLEW RATE |
| 1 | 470pF | 1.6V/μS |
| ≥10 | 100pF | 8V/μS |

* SEE APPLICATION CIRCUITS FOR OTHER CONNECTIONS AND FUNCTIONS.

*1 SEE PAGE 5 FOR INFORMATION ON SELECTING VALUES FOR DEGENERATION RESISTORS

SPECIFICATIONS

| | | | |
|---|--------------------------|------------------------------------|-----------------|
| SUPPLY VOLTAGE, +Vs to -Vs ⁷ | 100V | INPUT VOLTAGE | +Vcc to -Vcc |
| SUPPLY VOLTAGE, +Vcc to -Vcc ⁷ | 100V | OUTPUT CURRENT, peak | 40A, within SOA |
| DIFFERENTIAL INPUT VOLTAGE | ± 20V | POWER DISSIPATION, internal, DC | 225W |
| TEMPERATURE, pin solder, 10s | 300°C | TEMPERATURE, junction ² | 175°C |
| TEMPERATURE RANGE, storage | -40 to 70°C ⁵ | OPERATING TEMPERATURE, heat sink | -40 to 105°C |

ABSOLUTE MAXIMUM RATINGS

| PARAMETER | TEST CONDITIONS ¹ | MIN | TYP | MAX | UNITS |
|--|--|---------|------|-------|--------|
| INPUT | | | | | |
| OFFSET VOLTAGE | | | 1 | 5 | mV |
| OFFSET VOLTAGE vs. temperature | Full temperature range | | 20 | 50 | μV/°C |
| OFFSET VOLTAGE vs. supply | | | | 20 | μV/V |
| BIAS CURRENT, initial ³ | | | | 100 | pA |
| BIAS CURRENT vs. supply | | | | 0.1 | pA/V |
| OFFSET CURRENT, initial | | | | 50 | pA |
| INPUT RESISTANCE, DC | | | 100 | | G Ω |
| INPUT CAPACITANCE | | | 4 | | pF |
| COMMON MODE VOLTAGE RANGE | | ± Vcc | | | V |
| COMMON MODE REJECTION, DC | | 92 | | | dB |
| NOISE, referred to input | 100kHz bandwidth, 1kΩ R _s | | 1 | | mVrms |
| SHUTDOWN (SD) | Grounded | | | 1 | mA |
| GAIN | | | | | |
| OPEN LOOP | R _L = 100Ω, C _C =100pF | 100 | | | dB |
| GAIN BANDWIDTH PRODUCT @ 1MHz | | | 1 | | MHz |
| PHASE MARGIN | Full temperature range | 60 | | | degree |
| OUTPUT | | | | | |
| VOLTAGE SWING | I _o = 30A | +Vs-1 | | | V |
| VOLTAGE SWING | I _o = -30A | -Vs+1.5 | | | V |
| CURRENT, continuous, DC | | 30 | | | A |
| CURRENT, continuous, DC | ± Vs=±5V | 20 | | | A |
| SLEW RATE, A _v = -10 | C _C = 100pF | 6.4 | 8 | | V/μS |
| SETTLING TIME, to 0.1% | 2V Step | | 2 | | μS |
| RESISTANCE | No load, DC | | 3 | | Ω |
| SHUTDOWN | | | | | |
| TRANSITION TIME, off | ± output voltage to zero | | 1 | | μS |
| TRANSITION TIME, on | Zero to normal output | | 2 | | μS |
| CURRENT | internal currents dumped into load | | ± 6 | | mA |
| POWER SUPPLY | | | | | |
| VOLTAGE ⁷ | | ± 5 | ± 35 | ± 50 | V |
| CURRENT, quiescent | | | 60 | 68 | mA |
| +VB OUT, -VB OUT, load | Output voltage for accessory module | | | ± 1.5 | mA |
| THERMAL | | | | | |
| RESISTANCE, AC, junction to air ⁴ | Full temperature range, f ≥ 60Hz | | | .45 | °C/W |
| RESISTANCE, DC, junction to air | Full temperature range | | | .67 | °C/W |
| TEMPERATURE RANGE, ambient air ⁵ | | -40 | | 70 | °C |
| TEMPERATURE, shutdown, substrate | | | 110 | | °C |
| FAN, 80mm dc brushless, ball bearing | | | | | |
| OPERATING VOLTAGE | | | 12 | | V |
| OPERATING CURRENT | | | 180 | | mA |
| AIR FLOW | | | 40 | | CFM |
| RPM | | | 3300 | | RPM |
| NOISE | | | 33 | | dB |
| L10, life expectancy, 50°C ⁶ | | | 45 | | kHrs |
| L10, life expectancy, 25°C ⁶ | | | 60 | | kHrs |

NOTE

- S
1. Unless otherwise noted: T_c=25°C, compensation C_c=470pF, DC input specifications are ± value given, power supply voltage is typical rating.
 2. Derate internal power dissipation to achieve high MTBF.
 3. Doubles for every 10°C of case temperature increase.
 4. Rating applies if the output current alternates between both output transistors at a rate faster than 60Hz.
 5. Limited by fan characteristics. During operation, even though the heat sink may be at 85°C or more the fan will be at a lower temperature.
 6. L10 refers to the time it takes for 10% of a population of fans to fail. Lower ambient temperature increase fan life.
 7. +Vs, +Vcc must be connected together. -Vs, -Vcc must be connected together.

COMMON MODE RANGE

The PAD127 is a rail to rail operational amplifier. This means that it works equally well with the input pins biased to either supply rail or at any voltage in between. The most common application utilizing this function is the single supply voltage amplifier where the +IN pin and the -Vs supply pin are grounded.

OUTPUT SWING

With no load the output voltage of the PAD127 can swing to either supply voltage rail. As the load current increases the maximum output swing is reduced, but at 10A output the swing from the positive supply rail is less than 1V and less than 1.5V from the negative supply rail. This does not include any voltage drop due to the sensing voltage required for the current limit circuit to operate or voltage drop across the degeneration resistors (see page 5).

CURRENT LIMIT

The current limiting function of the PAD127 is a versatile circuit that can be used to implement a four-wire current limit configuration or, in combination with some external components can be configured to implement a fold-over current limit circuit. The four-wire current limit configuration insures that parasitic resistance in the output line, R_p , does not affect the programmed current limit setting. See Figure 1. The sense voltage for current limit is 0.65V. Thus:

$$I_L = \frac{0.65V}{R_s}$$

Where I_L is the value of the limited current and R_s is the value of the current limit sense resistor.

In addition, the sense voltage has a temperature coefficient approximately equal to $-2.2\text{mV}/^\circ\text{C}$. The fold-over function reduces the available current as the voltage across the output transistors increases to help insure that the SOA of the output transistors is not exceeded. Refer to **Application Circuits** for details on how to connect the current limit circuitry to implement either a four-wire current limit or current limit with a fold-over function.

In some applications better current limiting protection and a lower sense voltage may be desired. In this case the PAD127 can be operated with the PAD125 Current Limit Accessory Module. See Figure 3 in the applications section and the PAD125 data sheet for more details.

COOLING FAN

The PAD127 relies on its fan for proper cooling of the amplifier. Make sure that air flow to the fan and away from the

heat sink remains unobstructed. To eliminate electrical noise created by the cooling fan we recommend a $47\mu\text{F}$ capacitor placed directly at the point where the fan wires connect to the PCB. See application note AN-24 for further details.

MOUNTING THE AMPLIFIER

The amplifier is supplied with four 4-40 M/F hex spacers at the four corners of the amplifier. Since the male threaded ends of the spacers extend beyond the amplifier pins the spacers provide a convenient alignment tool to guide the insertion of the amplifier pins into the circuit board. Once the amplifier is seated secure the module with the provided 4-40 nuts and torque to 4.7 in lb [53 N cm] max. See “**Dimensional Information**” for a detailed drawing. It is recommended that the heat sink be grounded to the system ground. This can easily be done by providing a grounded circuit board pad around any of the holes for the mounting studs.

TEMPERATURE REPORTING

An analog output voltage is provided (pin 6, TMP) relative to ground and proportional to the temperature in degrees C. The slope is approximately $-10.82\text{mV}/^\circ\text{C}$. The output voltage follows the equation:

$$T = (2.127 - V) (92.42)$$

Where V is the TMP output voltage and T is the substrate temperature in degrees C.

This high impedance output circuit is susceptible to capacitive loading and pickup from the output of the amplifier. When monitoring TMP filter the voltage as shown in Figure 4. See **Applications Circuits**.

THERMAL SHUTDOWN

The temperature monitoring circuit automatically turns off the output transistors when the substrate temperature reaches 110°C . When the substrate cools down 10°C the output is enabled once again. The thermal shutdown feature is activated either by amplifier overloads or a failure of the fan circuit.

EXTERNAL SHUTDOWN

When pin 8 (\overline{SD}) is taken low (ground) the output stage is turned “off” and remains “off” as long as pin 8 is low. When pin 8 is monitored with a high impedance circuit it also functions as a flag, reporting when the amplifier is shut down. A “high” (+5V) on pin 8 indicates the temperature is in the normal range. A “low” (ground) indicates a shutdown condition. See **Application Circuits** for details on how to implement an external shutdown circuit and how to monitor the shutdown status.

PHASE COMPENSATION

The PAD127 **must** be phase compensated to operate correctly. The compensation capacitor, C_C , is connected between pins 4 and 5. On page 7, Typical Performance Graphs, you will find plots for small signal response and phase response using compensation values of 100pF and 470pF. The compensation capacitor must be an NPO type capacitor rated for the full supply voltage (100V). On page 2, under Amplifier Pinout and Connections, a table gives recommended compensation capacitance values for various gains and the resulting slew rate for each capacitor value.

DEGENERATION RESISTORS

The PAD127 derives its high power dissipation rating from the use of parallel output MOSFET transistors. To insure that the load current is distributed equally between the output transistors six external source degeneration resistors are needed. See R_{D1} - R_{D6} in the external connections diagram on page 2. The value of the resistors changes depending on the total supply voltage needed for the application. The SOA power dissipation of the amplifier (225 watts dc) determines the maximum load current that the amplifier can supply with the needed total supply voltage. ***To insure that the amplifier is not damaged the correct value of degeneration resistors is critical. Do not operate the amplifier without the proper value of degeneration resistors.***

All of the six degeneration resistors will be the same value and can be calculated by:

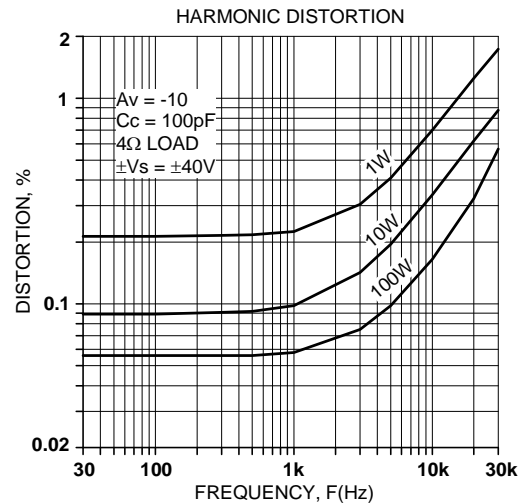
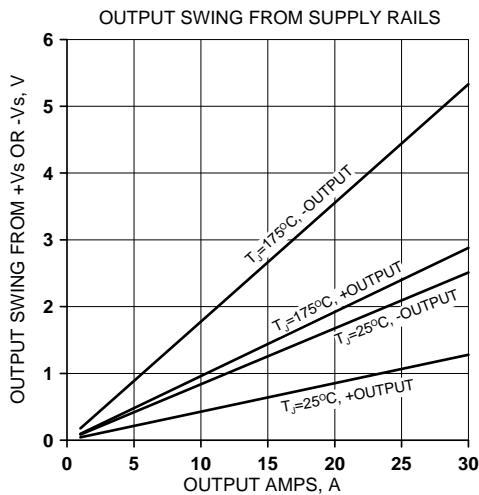
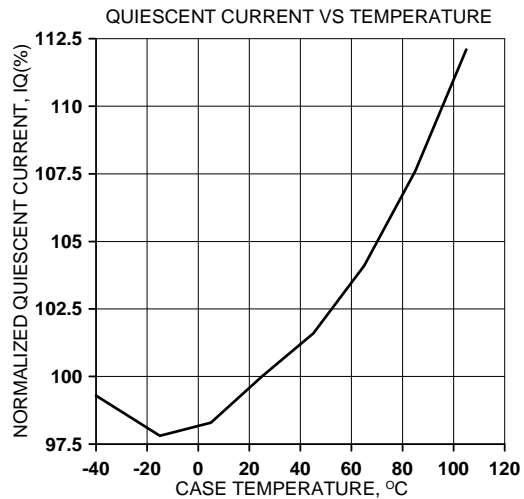
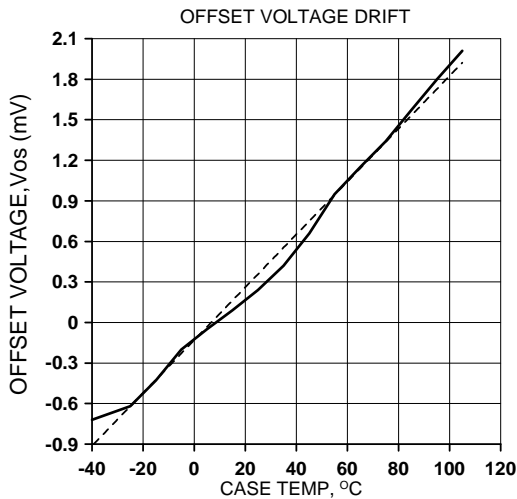
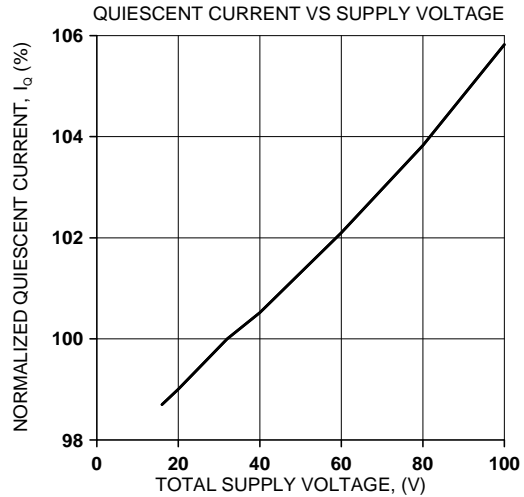
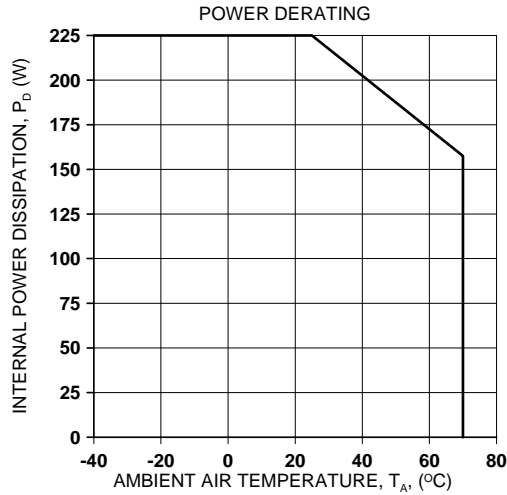
$$R_D = \frac{0.75V_T}{225} - 0.035\Omega$$

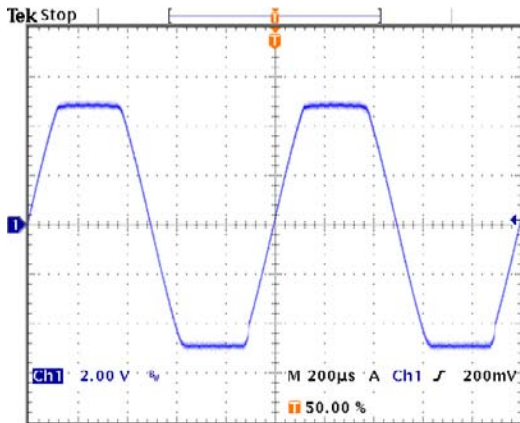
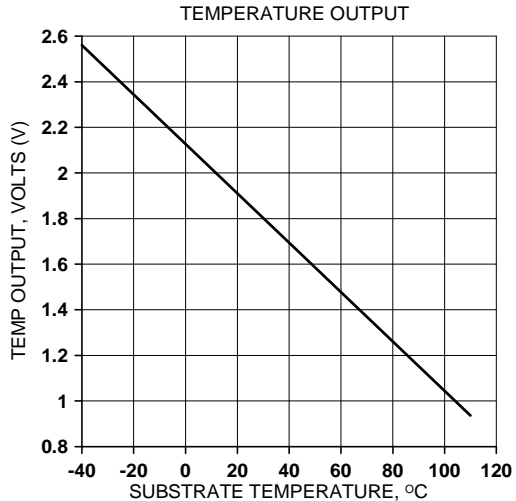
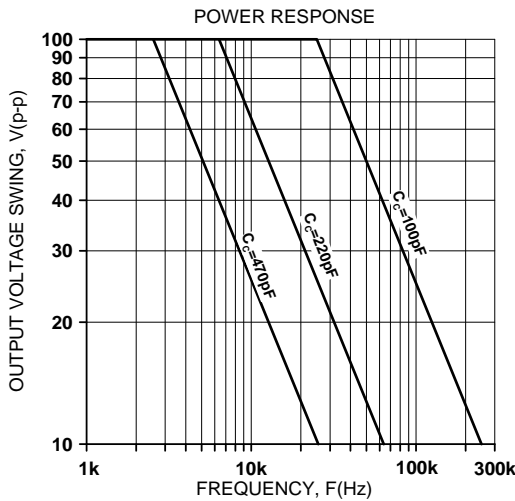
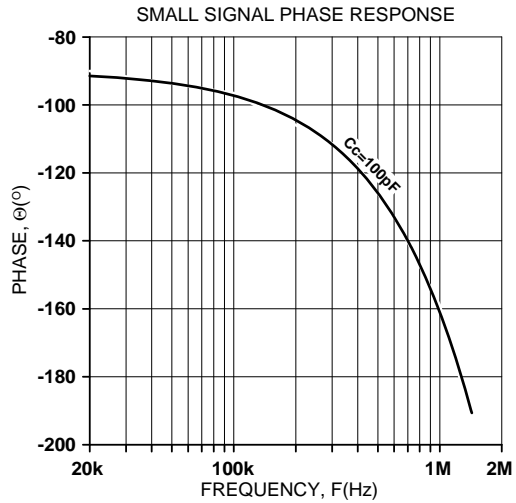
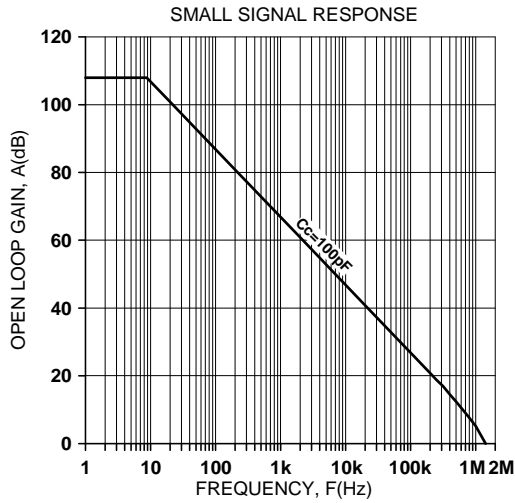
Where R_D is the value of each degeneration resistor and V_T is the total power supply voltage from $+V_S$ to $-V_S$.

The following table shows calculated degeneration resistor values (R_D) for various total supply voltages (V_T). Column (O) shows standard values that can be used from the Vishay/Dale resistor lines RS02B and LVR. These are also the resistor values supplied in the EVAL127 evaluation kit for the PAD127.

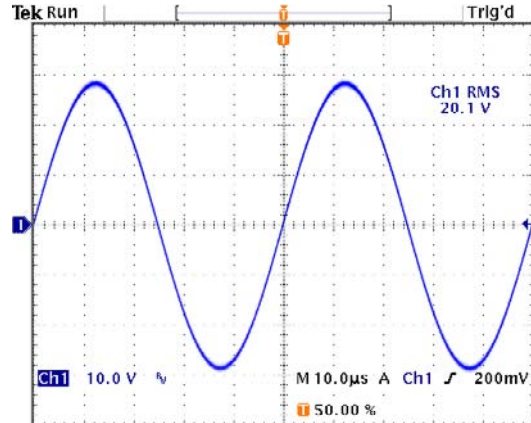
| V_T | R_D | O | Watt |
|-------|-------|------|------|
| 100 | 0.298 | 0.30 | 3 |
| 90 | 0.265 | 0.25 | 3 |
| 80 | 0.231 | 0.25 | 3 |
| 70 | 0.198 | 0.20 | 3 |
| 60 | 0.165 | 0.15 | 3 |
| 50 | 0.131 | 0.15 | 3 |
| 40 | 0.098 | 0.10 | 3 |
| 30 | 0.065 | 0.05 | 5 |
| 20 | 0.031 | 0.03 | 5 |
| 10 | 0.00 | 0.00 | - |

Resistors are to be 3 or 5 watt as shown in the table, 1% tolerance and preferably non-inductive as inductive resistors may cause the output stage to oscillate. The resistors available from Power Amp Design are of the inductive wire-wound type but have been found to be adequate for this application. These resistors are also available with non-inductive windings but are not usually stocked by distributors. The use of thick film chip resistors is not recommended. Thick film or metal film or powdered metal resistors types are suitable but may be either expensive or unavailable in the required values.

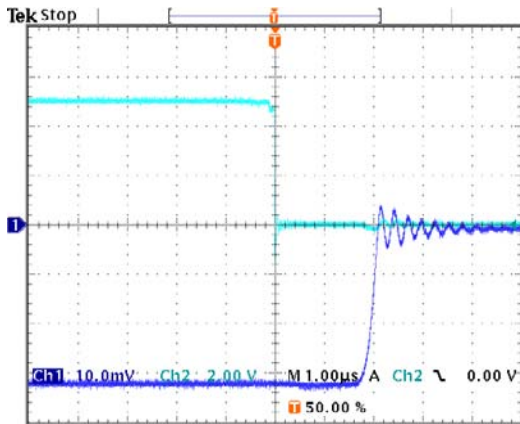




1kHz sine clipped by standard current limit into 4 Ω load



20kHz into 4 Ω load, G=-10, C_c=100pF

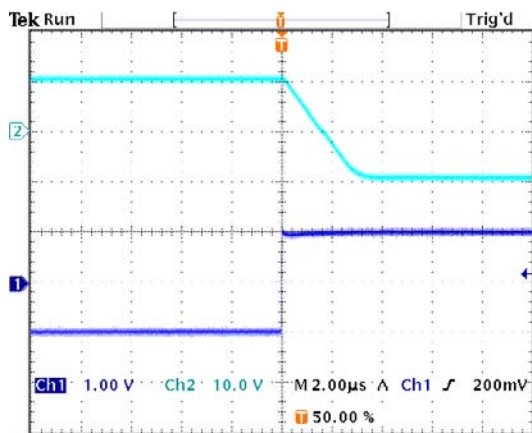
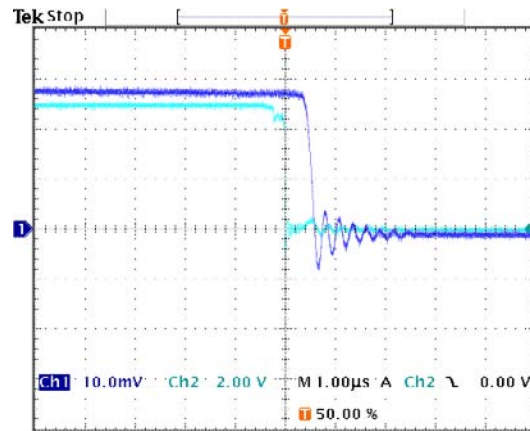


SHUTDOWN RESPONSE, NEGATIVE OUTPUT TO ZERO TRANSITION

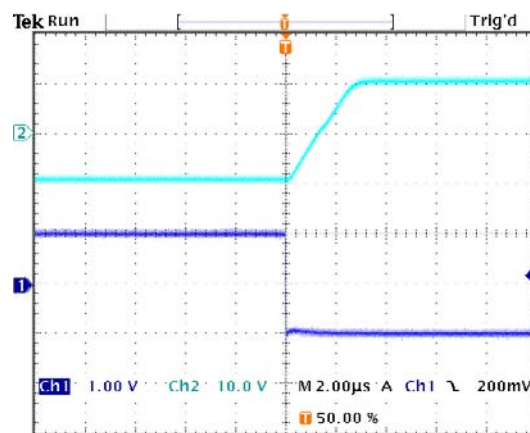
The oscilloscope display at the left shows an expanded view of a 1kHz 1.2A p-p amplifier output signal being interrupted near the negative peak by a shutdown signal on Ch2. The Ch1 display shows the output *current* going to zero about 2µS after the shutdown signal goes low. The ringing in the output signal is due to inductance in the output line.

SHUTDOWN RESPONSE, POSITIVE OUTPUT TO ZERO TRANSITION

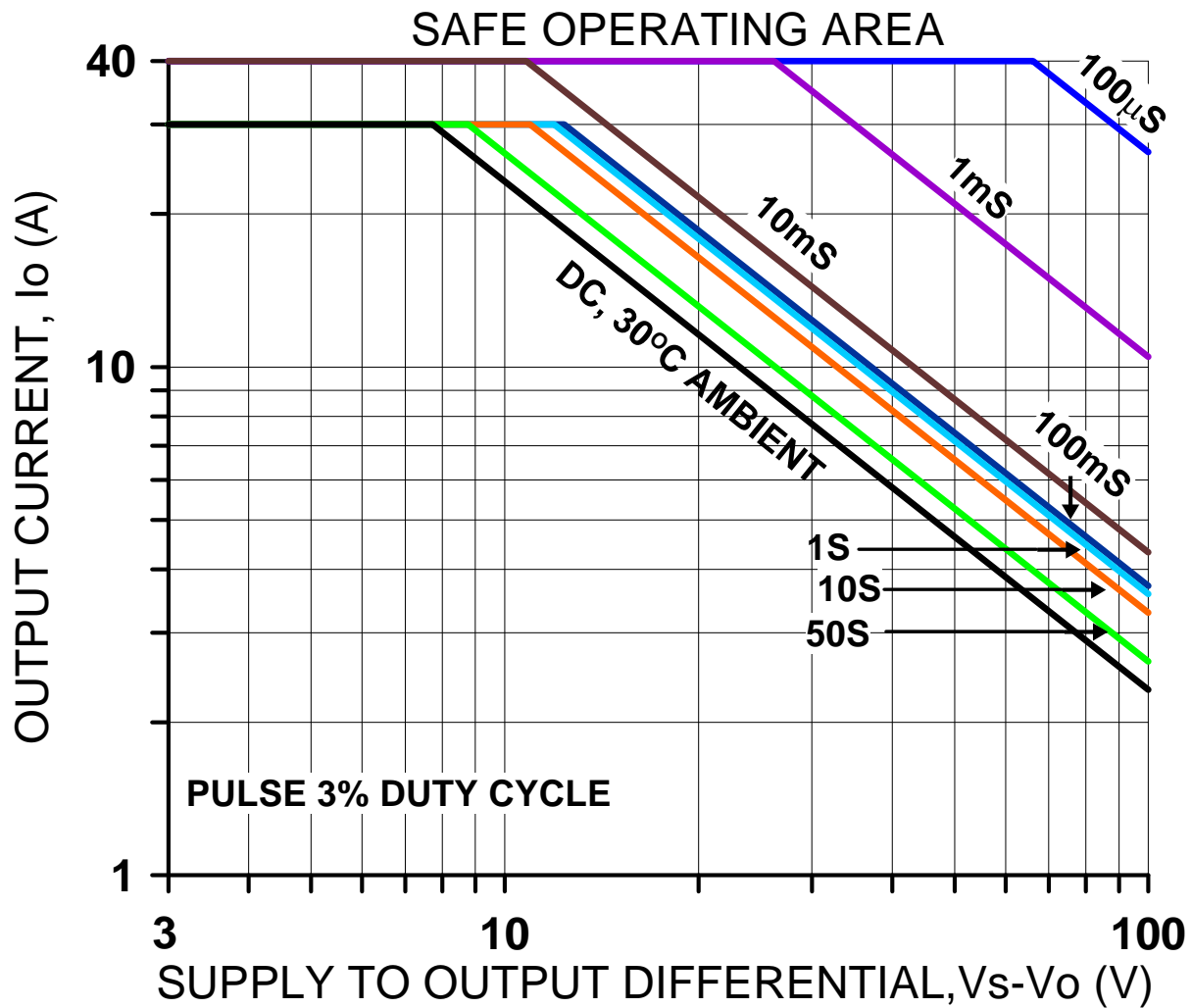
The oscilloscope display at the right shows an expanded view of a 1kHz 1.2A p-p amplifier output signal being interrupted near the positive peak by a shutdown signal on Ch2. The Ch1 display shows the output *current* going to zero about 0.5µS after the shutdown signal goes low. The ringing in the output signal is due to inductance in the output line.



Pulse Response, Positive to Negative, 4Ω Load
G=-10, Cc=100pF



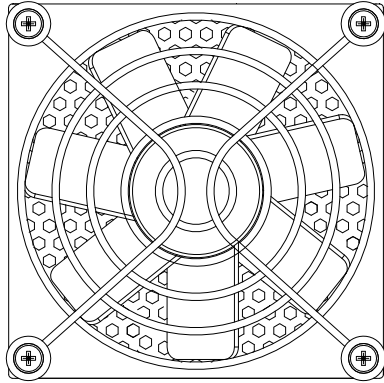
Pulse Response, Negative to Positive, 4Ω Load
G=-10, Cc=100pF



SAFE OPERATING AREA

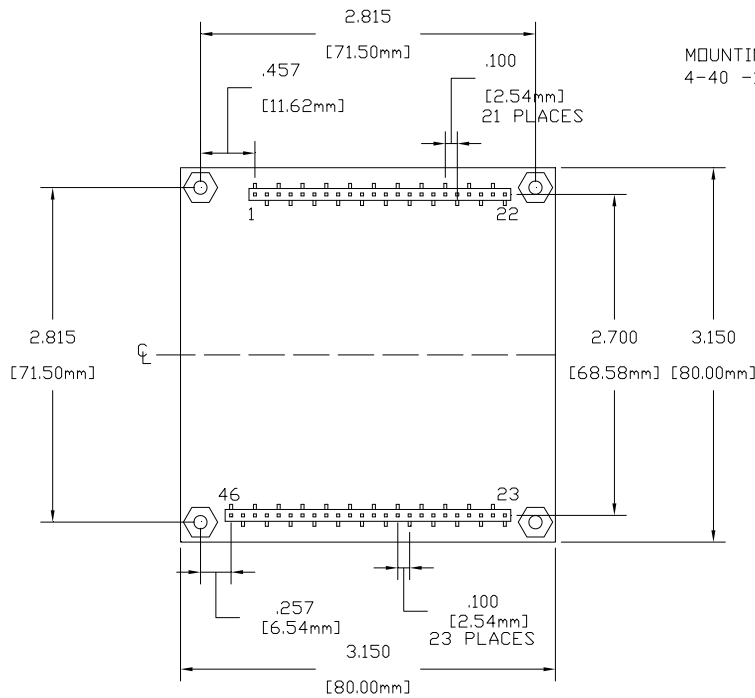
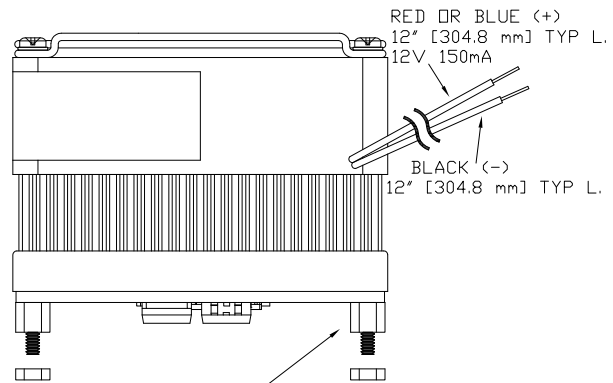
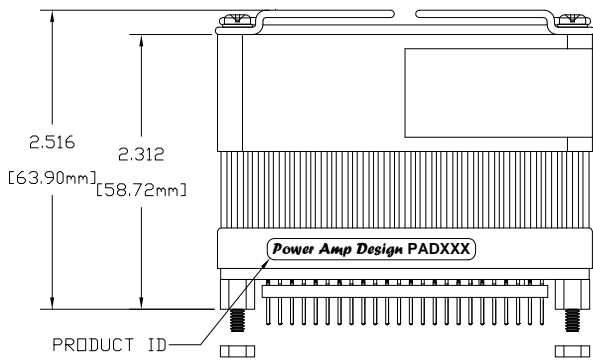
The safe operating area (SOA) of a power amplifier is its single most important specification. The SOA graph presented above serves as a first approximation to help you decide if the PAD127 will meet the demands of your application. But a more accurate determination can be reached by making use of the **PAD Power**™ spreadsheet which can be found in the *Power Amp Design* website. While the graph above adequately shows DC SOA and some pulse information it does not take into account ambient temperatures higher than 30°C, AC sine, phase or non-symmetric conditions that often appear in real-world applications. The **PAD Power**™ spreadsheet takes all of these effects into account.

PowerAmp Design ♦ PAD127 ♦ RAIL TO RAIL OPERATIONAL AMPLIFIER



NOTES:

1. PINS .0025" SQUARE X46
2. RECOMMENDED HOLE FOR MOUNTING 0.129" X4
3. RECOMMENDED HOLE FOR PINS 0.052" D.
4. RECOMMENDED HOLE FOR CAGE JACKS 0.062" D.
5. TOTAL ASSEMBLY WEIGHT APPROX 11.4 oz [323g]
6. HEAT SINK WEIGHT APPROX 7.36 oz [208g]



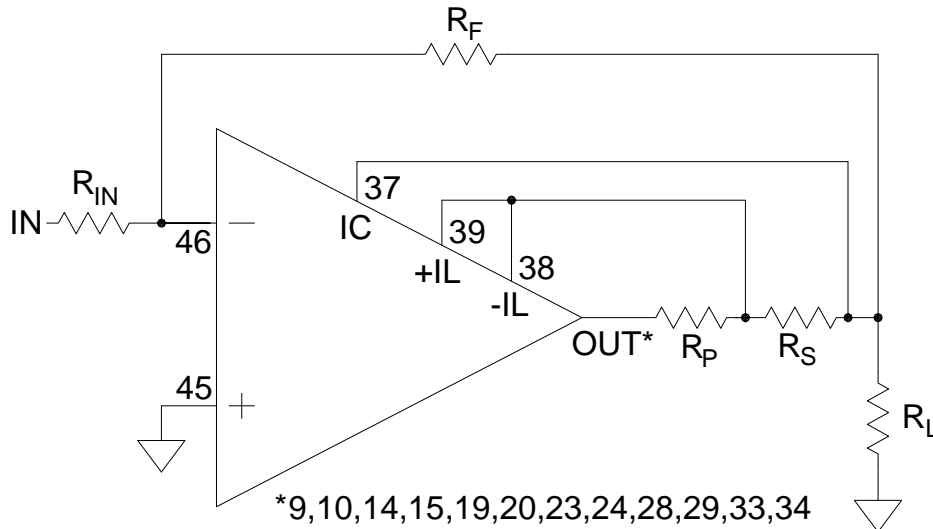


FIGURE 1.
4-WIRE CURRENT LIMIT

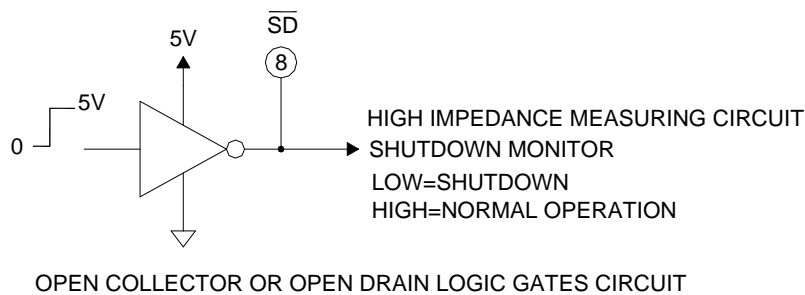
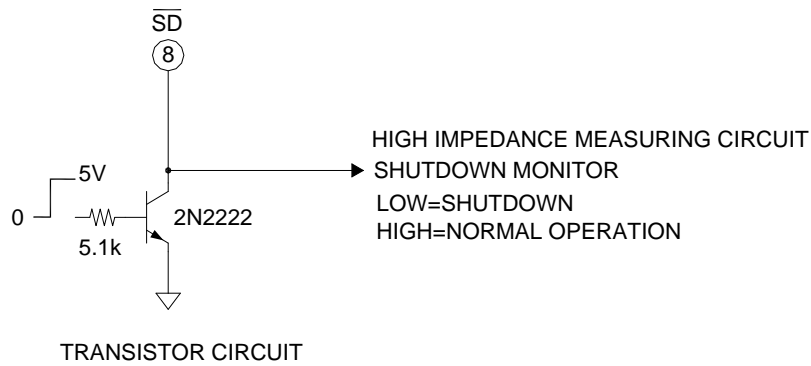


FIGURE 2.
EXTERNAL SHUTDOWN WITH MONITOR

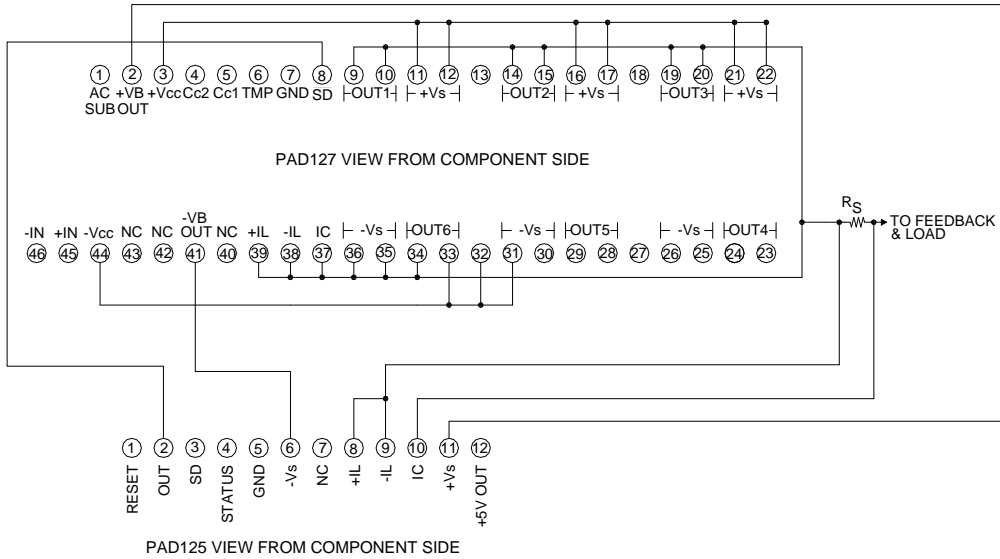


FIGURE 3
USING THE PAD127 WITH THE PAD125

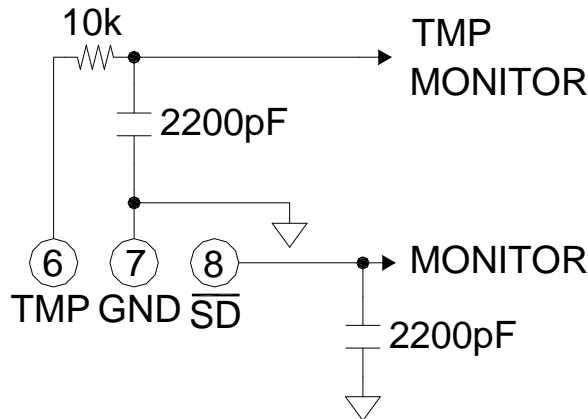


FIGURE 4
MONITORING TMP AND \overline{SD} OUTPUTS

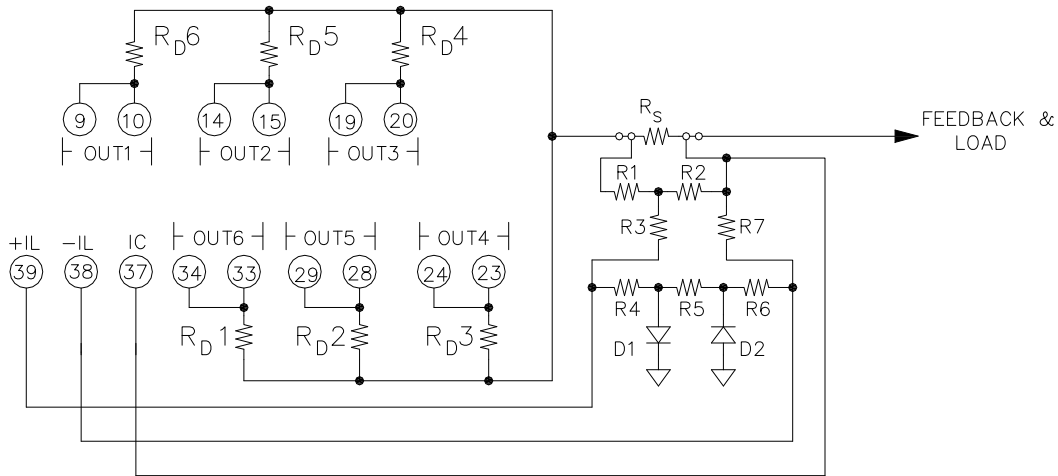


FIGURE 5
DUAL SLOPE (FOLD-OVER) CURRENT LIMIT

With the three current limit function pins (pins 37-39) dual slope current limiting can be implemented that more closely approximates the SOA curve of the amplifier than can be achieved with standard current limiting techniques. Values for resistors R1-R7 and R_S can be calculated using the **PAD Power**[™] spreadsheet that can be downloaded from the Power Amp Design web site.